


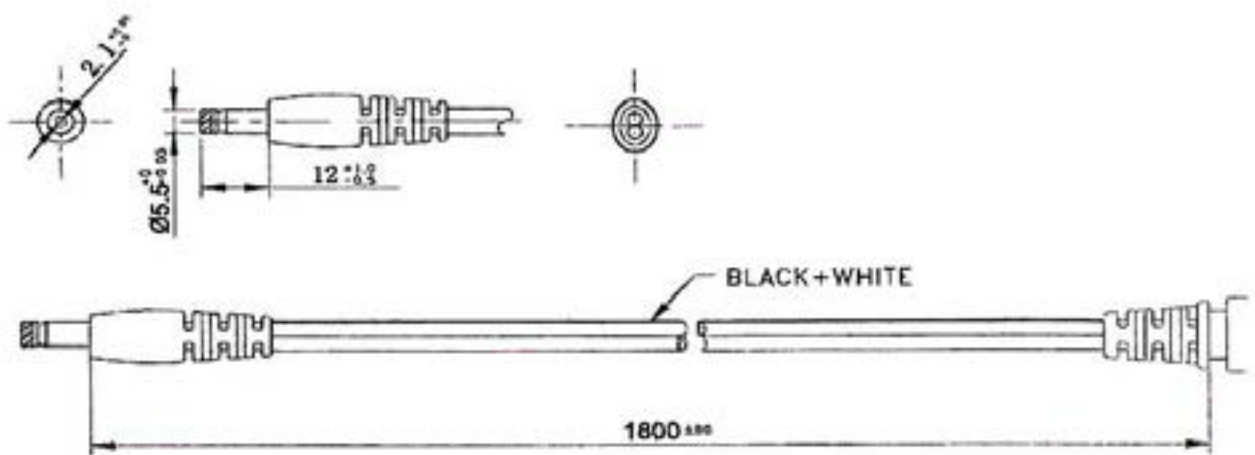
FP-PS-12V Power Supply

Technical Data

Rated input voltage	100 V – 240 V
Rated input frequency	50/60 Hz
Rated input current	0.25 A
Max. input power	12 W
Output voltage	12 V
Output current	1000 mA max.
Wire	L = 1800 mm
Polarity	
Operating temperature	0 °C bis 40 °C
Storage temperature	-20 °C bis 80 °C



Male connector included in delivery



dc female connector